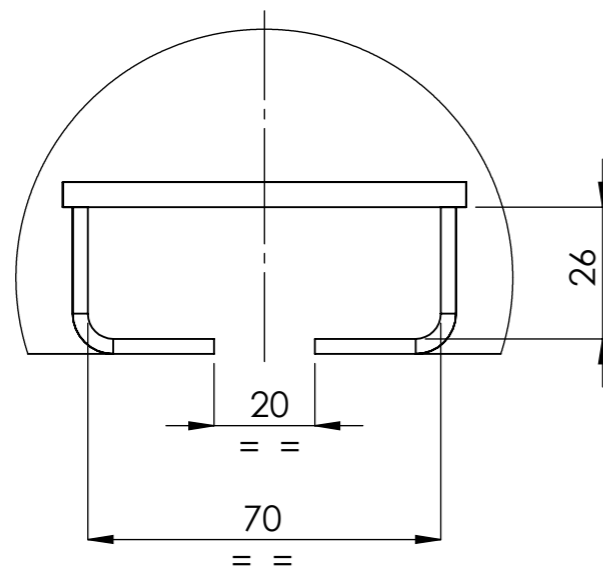
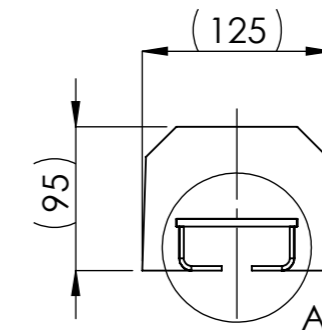
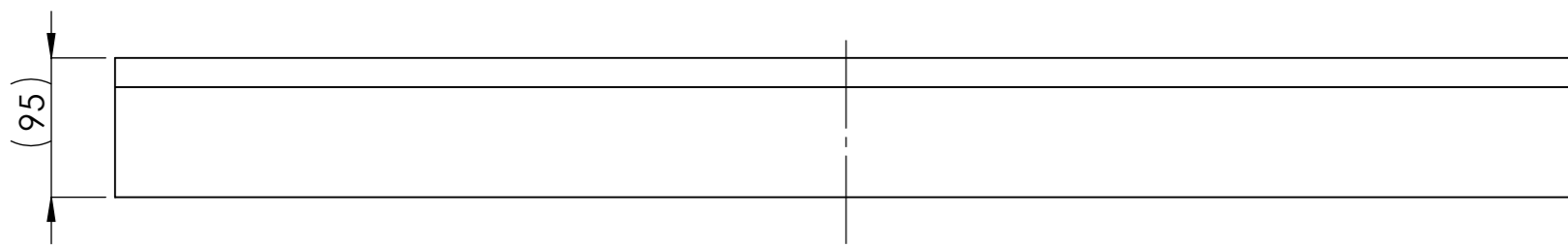
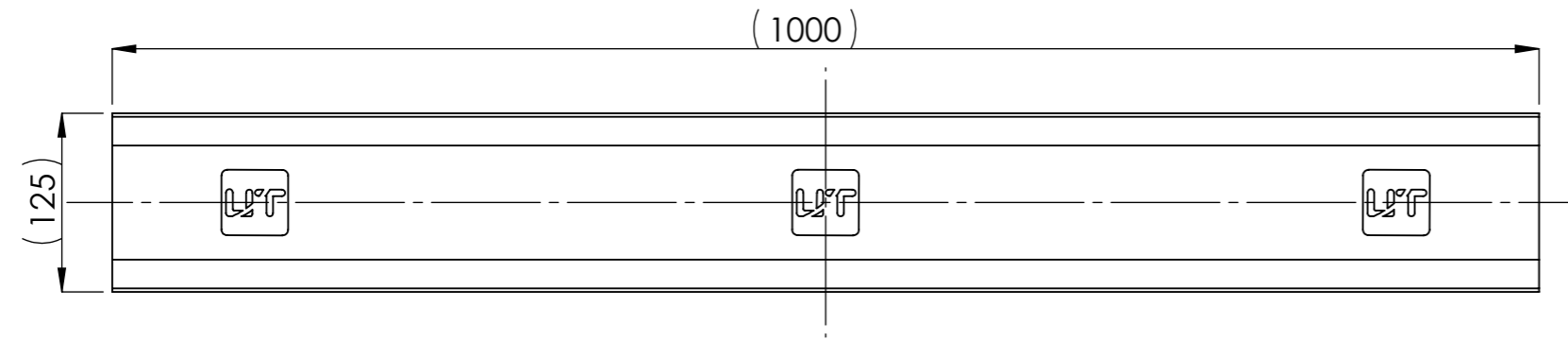
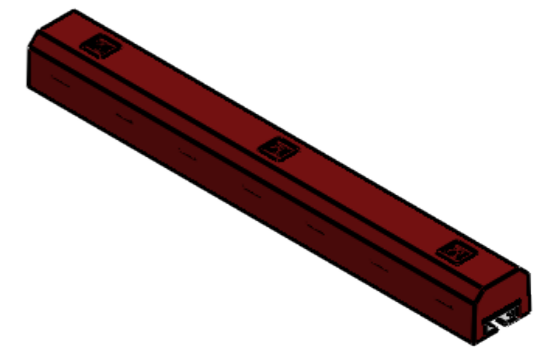


ITEM	QTY	PART No	DESCRIPTION
1	1	UT-IB-1000-X*	POLYURETHANE IMPACT BAR

\* X INDICATES POLYURETHANE TYPE. R FOR NORMAL RED 90 SHORE URETHANE AND P FOR FLAME RETARDENT PURPLE URETHANE



DETAIL A  
MOUNTING DETAIL  
SCALE 1 : 1.5



COPYRIGHT STRICTLY RESERVED - Uretech (PTY) LTD  
The design and technical information as detailed on the drawings is the exclusive property of Uretech (PTY) LTD and must not be reproduced, copied or communicated in whole or in part to any purpose without obtaining permission of Uretech in writing.

WEIGHT: 16.05 kg

REV.	DESCRIPTION	DATE	APPROVED
0	INITIAL RELEASE	2020-05-27	O Kotzé
REVISIONS			



Description  
POLYURETHANE IMPACT BAR  
GENERAL ASSEMBLY

Drawn / ENG:  
O Kozé

Date:  
2020-05-27

Drawing No.  
UT-IB-XXXX-X

Sheet 1 of 1  
Scale: 1:5



A3